

# Mikuni Heater Parts List

# MX40

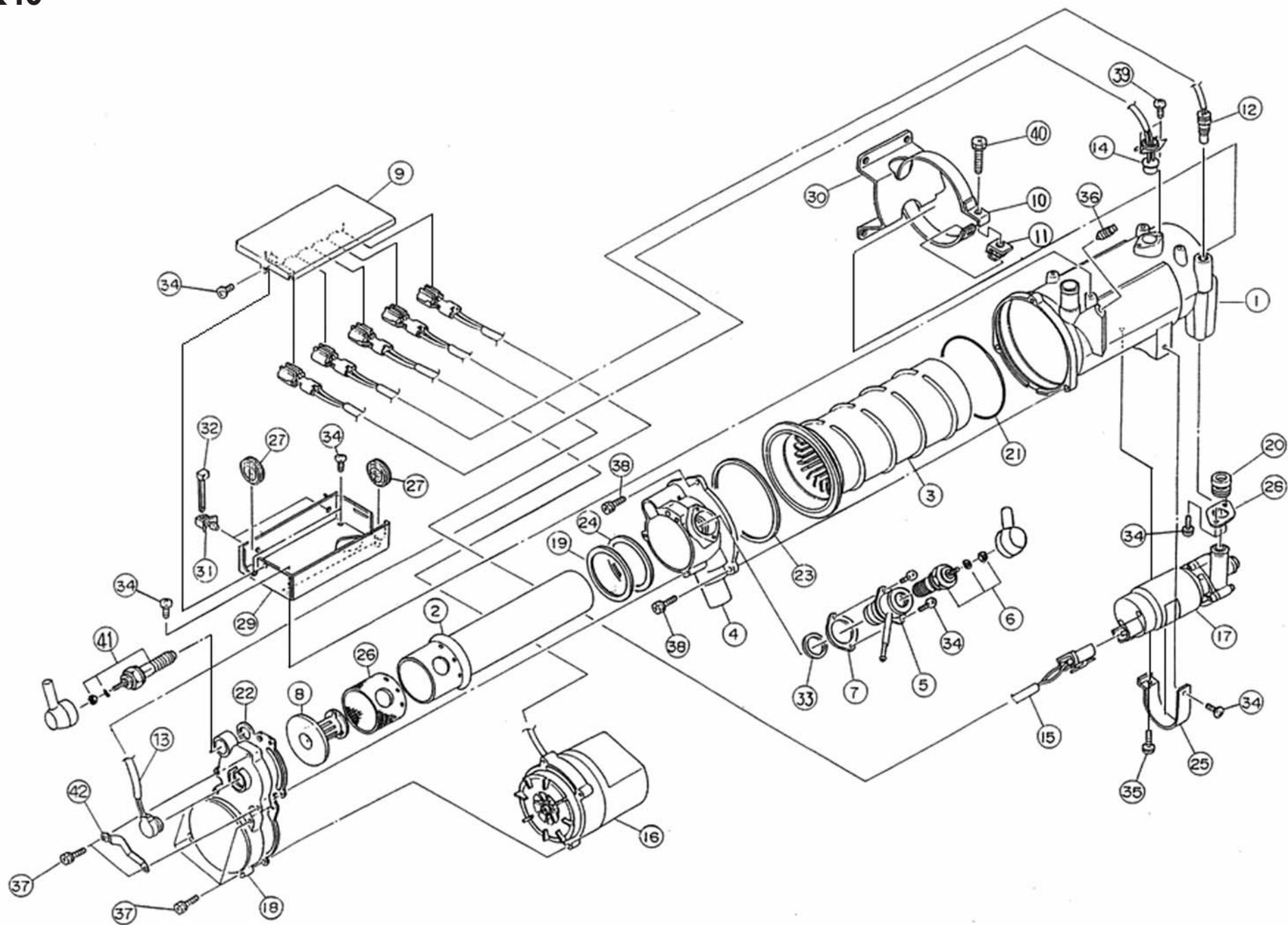


---



MIKUNI

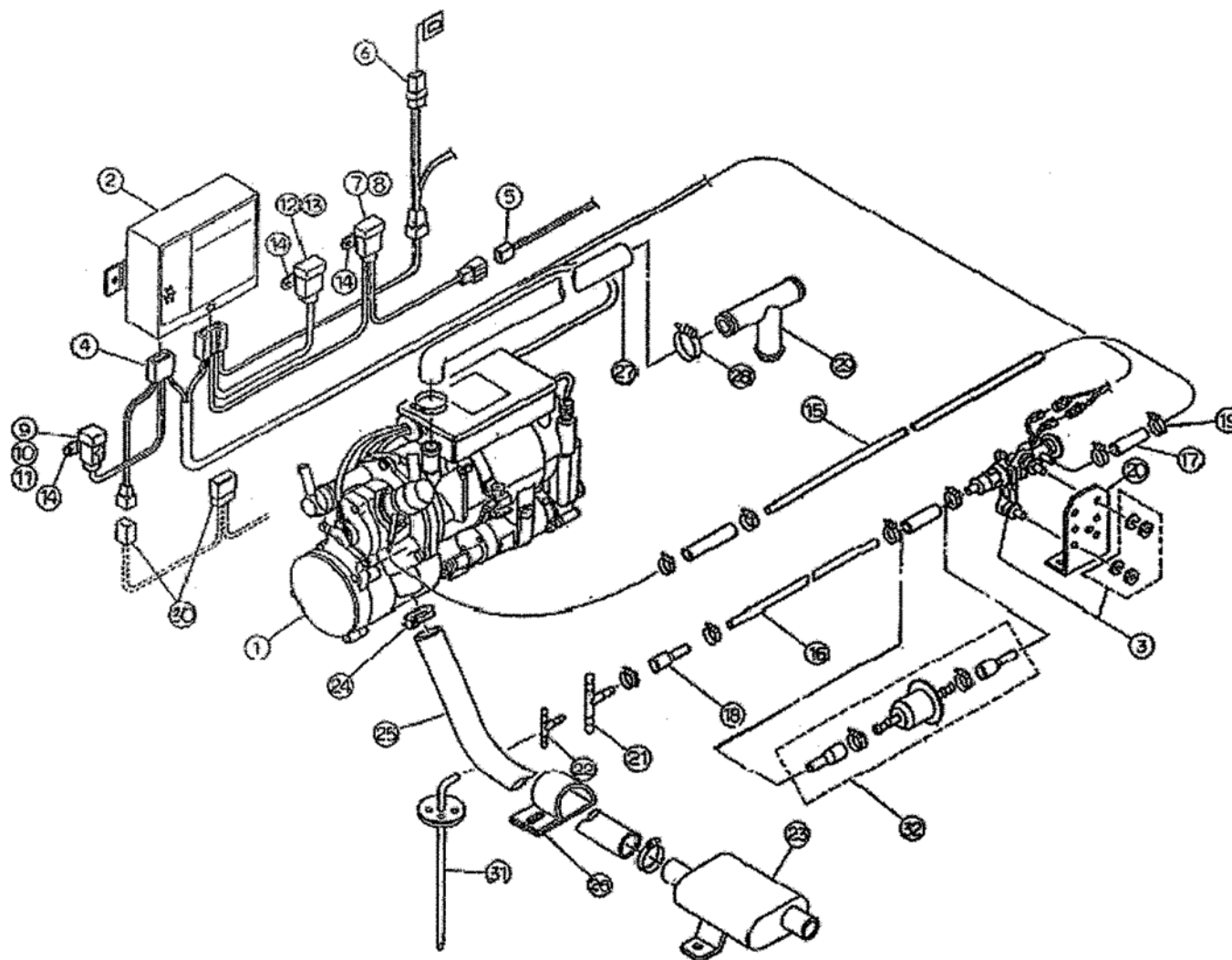
# MX40



# MX40

照合	PART NAME	PART NUMBET		QTY	REMARKS	No	PART NAME	PART NUMBER		QTY	REMARKS
		MX40AFD-3	MX40CFD-3					MX40AFD-3	MX40CFD-3		
1	WATER JACKET	548038B	←	1		26	WICK	548047A	←	1	
2	COMBUSTION CHAMBER ASSY	548006	←	1		27	GROUMET	018100	←	2	
3	INNER ASSY	548001	←	1		28	FRANGE	548020A	←	1	
4	HOUSING	548035	←	1		29	CASE	548024	←	1	
5	GLOW PLUG BOSS	548014A	←	1		30	BASE	548022	←	1	
6	GLOW PLUG BOSS	061121	←	1		31	CLAMP	007280	←	2	
7	PACKING	012058	←	1		32	INSULOCK TIE	007038	←	3	
8	PIPE ASSY	548010	←	1		33	DISC SPRING	548023	←	1	
9	COVER ASSY	548025	←	1		34	CROSS SCREW	CW2-0408	←	10	
10	BAND ASSY	007314	←	1		35	CROSS SCREW	CW2-0414	←	1	
11	FOOK ASSY	007317	←	1		36	PLUG	SP-1/8	←	1	
12	THERMISTER ASSY	043170A	←	1		37	BOULT	BW3-0420	←	7	
13	FLAME SENSOR ASSY	059217	←	1		38	BOULT	BW3-0520	←	3	
14	THERMOSTAT ASSY	042172	←	1		39	CROSS SCREW	CW2-0305	←	2	
15	CABLE ASSY	063926	←	1		40	BOULT	W3-0630	←	1	
16	AIR SUPPLY ASSY	548031	548030	1		41	GLOW RESISTANCE	060197	—	1	24V
17	WATER PUMP ASSY	CP10A-1	CP10C-1	1		42	BRACKET	548057	←	1	
18	GUIDE	548036	548037	1							
19	BACKUP RING	548049	←	1							
20	CAP	548039B	←	1							
21	O RING	010088	←	1							
22	PACKING	548041	←	1							
23	PACKING	011117	←	1							
24	PACKING	011110	←	1							
25	CLAMP	548029A	←	1							

# MX40





# MX40

			24V	12V	QTY	REMARKS	
HEATER KIT			MX40AFD3-01	MX40CFD3-01			
	1	HEATER ASSY	MX40AFD-3	MX40CFD-3	1		
	2	CONTROL BOX ASSY	057462G	057461G	1		
	3	FUEL PUMP ASSY	503248A	503247A	1		
ACCESSORY PARTS			940A04	940C04			
E L E C T R I C I T Y	4	CABEL ASSY	063925A	063872A	1		
	5	CONNECTOR ASSY	990675	←	1		
	6	SWITCH PANEL	056585	←	1		
	7	FUSE HOLDER	065101	←	1		
	8	FUSE	065102	←	1	30A	
	9	FUSE HOLDER	065110	065106	1		
	10	FUSE	065111	065109	1	5A(24V) 7. 5A(12V)	
	11	FUSE	065112	←	1	1A	
	12	FUSE HOLDER	065125	←	1		
	13	FUSE	065127	←	1	25A	
	14	BRACKET	065087	←	3		
	F U E L	15	FUEL PIPE	016267	←	1	l=6000mm
		16	FUEL PIPE	016268	←	1	l=1000mm
		17	RUBBER HOSE	016188	←	3	
18		REDUCER	009027	←	1		
19		CLAMP	007329	←	8		
20		BRACKET	510600	←	1		
21		T-JOINT	020333A	←	1	φ8×φ8×φ6	
22		T-JOINT	020339	←		φ6×φ6×φ6	
E X H A U S T	23	MUFFLER ASSY	548050	←	1		
	24	CLAMP ASSY	007338B	←	2		
	25	HOSE	005179	←	1	SUS φ22×1000mm	
	26	CLAMP	007337	←	1	EXHAUST PIPE	
C O O L A N T	27	ELBOW	016341	←	1		
	28	CLAMP	007272	←	8		
	29	T-JOINT	020338	←	2		
O P T I O N A L P A R T	30	RELAY KIT	990683	990684	1		
	31	FUEL PIPE	501716	←	1	FUEL PIPE	
	32	FUEL FILTER KIT	990685	←	1		

## Mikuni Heating (UK) Limited

Units 6 & 7, Second Avenue Business Park, Millbrook  
Southampton, Hampshire SO15 0LP

 **T:** 0044 (0)23 8052 8777


 **F:** 0044 (0)23 8052 8808

 **E:** sales@mikuniheating.com

 Engine Pre-Heating

 Truck Cab Heating

 Ambulance Heating

 Minibus Heating

 Crane Heating

 RV Heating

 Utility Vehicles

 Marine Warm Air Systems

 Marine Wet Systems

 Marine De-Mist Systems



[www.mikuniheating.com](http://www.mikuniheating.com)



**M I K U N I**